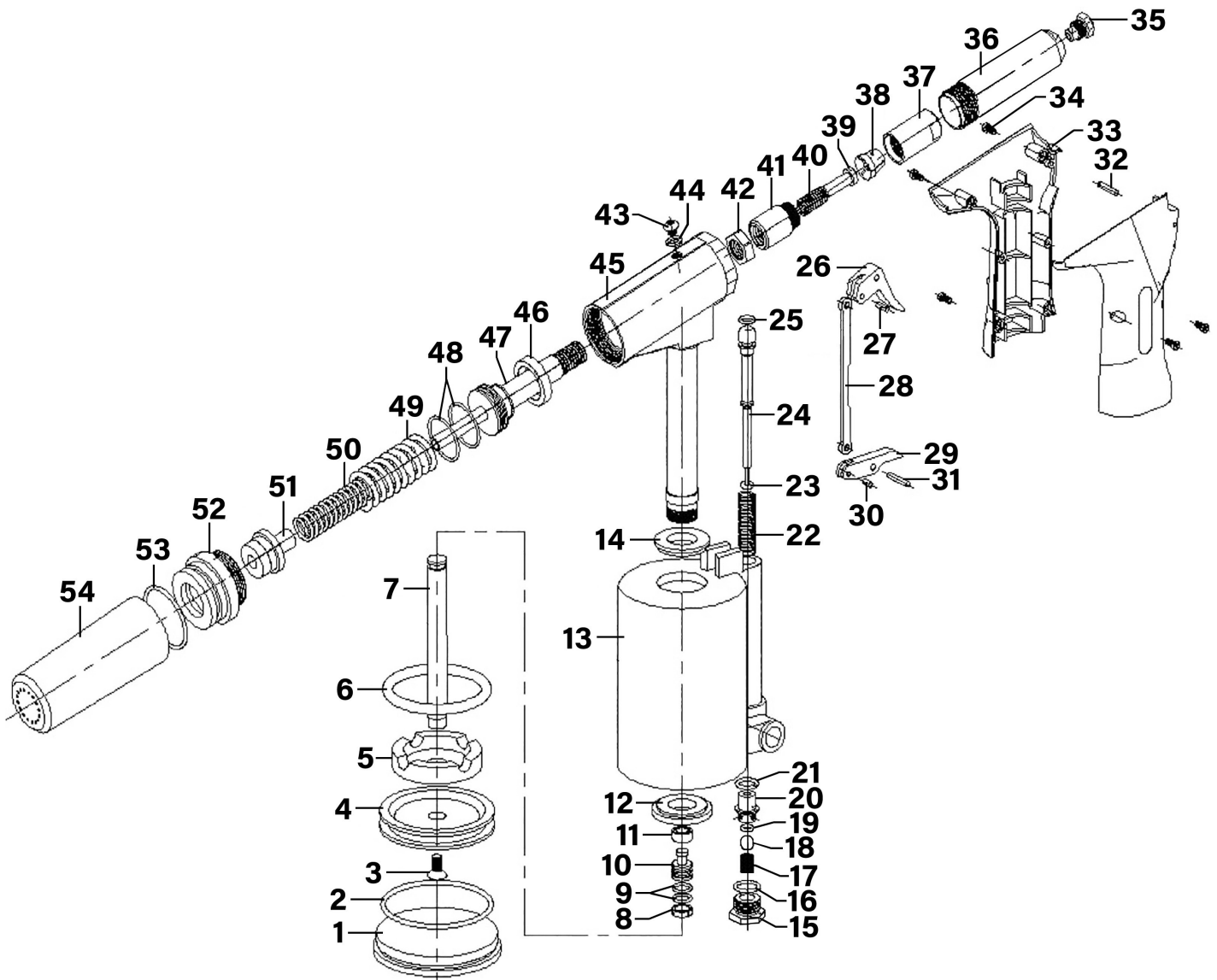




Parts Information:
**Air Riveter Steel Aluminium & Stainless
 Steel Rivets**
Model No: GSA312 & GSA314



Item	Part No.	Description
1	GSA312.01	Bottom Cover (For GSA312 ONLY)
1	GSA314.01	Bottom Cover (For GSA314 ONLY)
2	AK4560D.209	O-Ring, (Ex: 71.58 In: 66.34 Cs: 2.62) (For GSA312 ONLY)
2	SJBEX200LP30N	O-ring, (Ex: 81.11 In: 75.87 Cs: 2.62) (For GSA314 ONLY)
3	GSA314.03	Countersunk Screw
4	GSA312.04	Piston Disc (For GSA312 ONLY)
4	GSA314.04	Piston Disc (For GSA314 ONLY)
5	GSA312.05	Piston Cushion (For GSA312 ONLY)
5	SA314.V5-21	Piston Cushion (For GSA314 ONLY)
6	SBJ30W.02	O-Ring, (Ex: 73.53 In: 62.87 Cs: 5.33)(For GSA312 ONLY)

Item	Part No.	Description
6	SA314.V4-42	O-Ring, (Ex: 79.88 In: 69.22 Cs: 5.33) (For GSA314 ONLY)
7	GSA314.07	Piston Rod
8	GSA314.08	Piston Ring
9	GSA314.09	O-Ring, (Ex: 12.45 In: 9.88 Cs: 1.29)
10	GSA314.10	Piston
11	GSA314.11	Guide Ring
12	GSA314.12	Locking Nut
13	GSA312.13	Cylinder (For GSA312 ONLY)
13	GSA314.13	Cylinder (For GSA314 ONLY)
14	GSA312.14	Bushing (For GSA312 ONLY)
14	GSA314.14	Bushing (For GSA314 ONLY)

NOTE: It is our policy to continually improve products and as such we reserve the right to alter data, specifications and component parts without prior notice. There may be alternative versions of this product, please contact us should you require this information.

IMPORTANT: No liability is accepted for incorrect use of product. Spare parts must be fitted by a competent person

WARRANTY: Guarantee is 12 months from purchase date, proof of which will be required for any claim.

Sealey Group, Kempson Way, Suffolk Business Park, Bury St Edmunds, Suffolk. IP32 7AR



01284 757500



sales@sealey.co.uk



www.sealey.co.uk



Parts Information:
Air Riveter Steel Aluminium & Stainless
Steel Rivets
Model No: GSA312 & GSA314

Item	Part No.	Description
15	GSA314.15	End Plug
16	840.V2-M18	O-Ring, (Ex: 15.98 In: 12.42 Cs: 1.78)
17	GSA314.17	Spring Dia 6.9mm
18	GSA314.18	Steel Ball
19	AK458DX.V4-20	O-Ring, (Ex: 8.84 In: 5.28 Cs: 1.78)
20	GSA314.20	Valve Base
21	GSA314.21	O-Ring, (Ex: 11.60 In: 9.20 Cs: 1.20)
22	GSA314.22	Valve Rod Spring 10mm
23	GSA314.23	O-Ring, (Ex: 7.90 In: 3.10 Cs: 2.40)
24	GSA314.24	Valve Rod
25	GSA314.25	O-Ring, (Ex: 9.91 In: 6.35 Cs: 1.78)
26	GSA314.26	Trigger
27	GSA314.27	Spring Pin M3 x 8
28	GSA314.28	Connecting Rod
29	GSA314.29	Link Plate
30	GSA314.30	Spring Pin M3.3 X 6
31	GSA314.31	Link Plate Pin
32	GSA314.32	Pin for Casing
33	GSA314.33	Handle Case Covers (Left & Right)
34	GSA314.34	Screw for Casing
35	SA314.V5-01A	Nosepiece 3/32"
35	SA314.V5-01B	Nosepiece 1/8"
35	SA314.V5-01C	Nosepiece 5/32"

Item	Part No.	Description
35	SA314.V5-01D	Nosepiece 3/16"
35	SA314.V5-01E	Nosepiece 1/4" (For GSA314 ONLY)
36	GSA314.36	Cylinder Head
37	GSA314.37	Jaw Sleeve
38	GSA314.38	Jaw Set (3pc)
39	SA314.V5-05	Jaw Pusher
40	GSA314.40	Jaw Pusher Spring
41	GSA314.41	Jaw Cylinder
42	GSA314.42	Adjusting Nut
43	GSA314.43	Screw for Main Handle
44	GSA314.44	Seal for Main Handle
45	GSA314.45	Main Handle
46	GSA314.46	Guide Ring
47	GSA314.47	Main Rod
48	SA141.24	O-ring, (Ex: 28.68 In: 25.12 Cs: 1.78)
49	GSA314.49	Main Rod Spring (Large) Dia 23.7mm
50	GSA314.50	Spring Dia 15.7mm
51	GSA314.51	Resetting Spring Pusher
52	GSA314.52	Back Cover
53	AK451DX.06	O-Ring, (Ex: 38.41 In: 31.35 Cs: 3.53)
54	SA314.V5-15	Bottle
--	SA314.V5-C01	Wrench (Not Shown)
--	GSA314.56	Oil Syringe (Not Shown)

NOTE: It is our policy to continually improve products and as such we reserve the right to alter data, specifications and component parts without prior notice. There may be alternative versions of this product, please contact us should you require this information.

IMPORTANT: No liability is accepted for incorrect use of product. Spare parts must be fitted by a competent person

WARRANTY: Guarantee is 12 months from purchase date, proof of which will be required for any claim.

Sealey Group, Kempson Way, Suffolk Business Park, Bury St Edmunds, Suffolk. IP32 7AR



01284 757500



sales@sealey.co.uk



www.sealey.co.uk